



# Illustrated Parts List

## Model Series

# 10D100

TYPE NUMBERS  
0001 through 0117.

### TABLE OF CONTENTS

Armature .....	7
Blower Housing .....	6
Camshaft .....	2
Carburetor .....	4
Controls .....	7
Crankcase Cover .....	2
Crankshaft .....	2
Cylinder .....	2
Cylinder Head .....	3
Electrical Starter .....	7
Electrical System .....	7
Exhaust System .....	5
Flywheel .....	6
Fuel Supply .....	5
Gasket Set .....	3
Governor Spring .....	7
Ignition .....	7
Operator's Manual .....	2
Piston/Rings/Connecting Rod .....	2
Rewind Starter .....	6
Shrouds .....	6
Spark Plug .....	7
Warning Label .....	2



PRINTED IN U.S.A.

COPYRIGHT by BRIGGS & STRATTON CORPORATION  
All rights reserved. No part of this material may be reproduced or transmitted,  
in any form or by any means, electronic or mechanical, including photocopying,  
recording or by any information storage and retrieval system, without permission  
in writing from Briggs & Stratton Corporation.

# 10D100

1319 WARNING LABEL



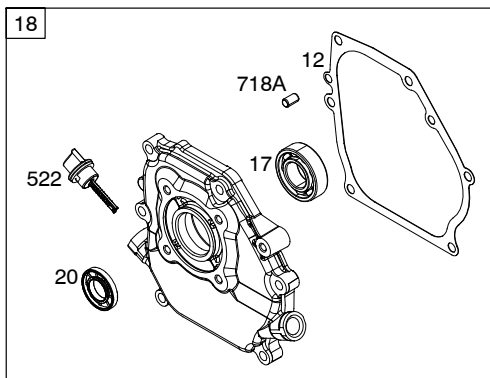
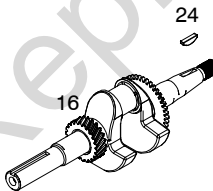
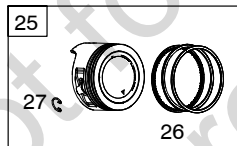
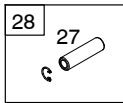
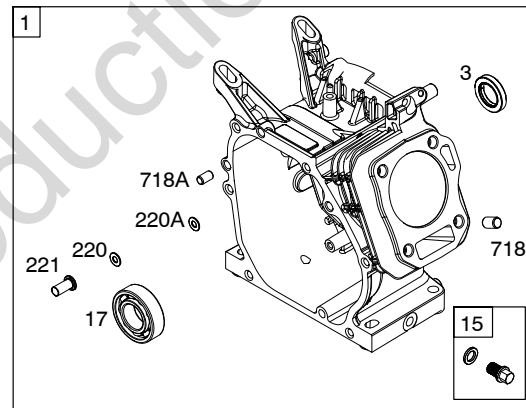
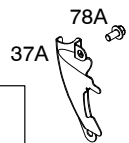
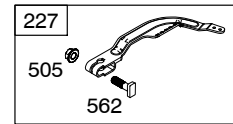
**REQUIRED** when replacing parts with warning labels affixed.

1319A WARNING LABEL

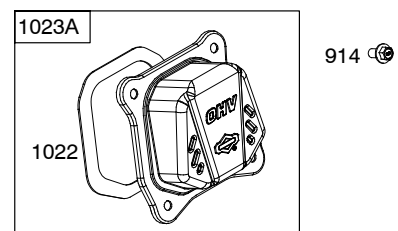
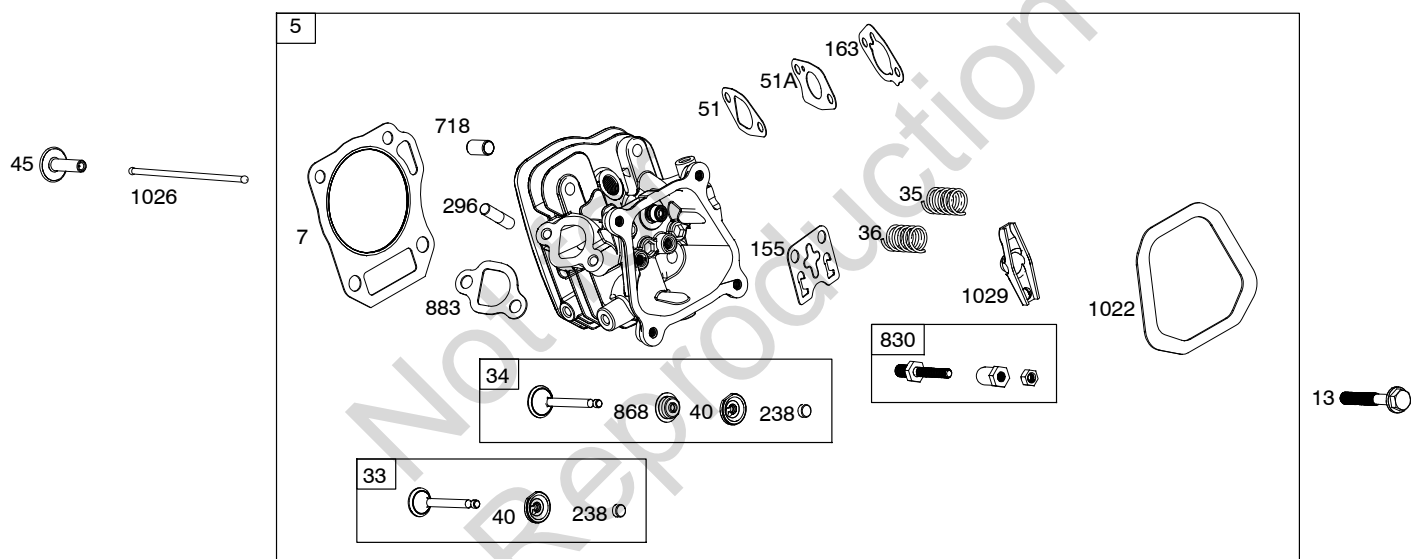
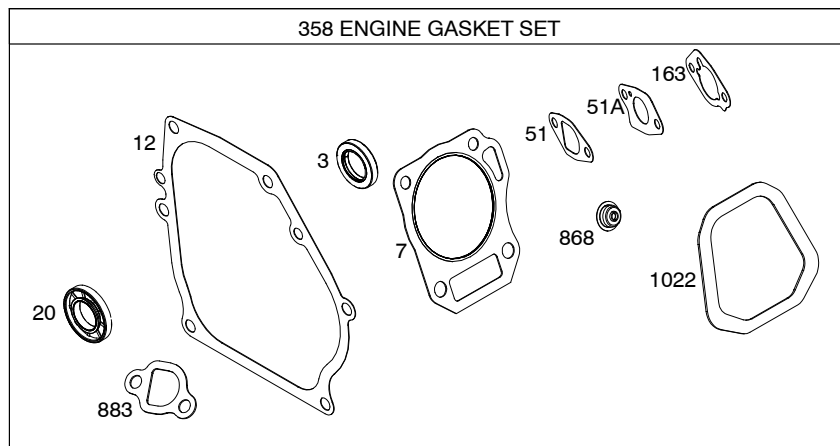


**REQUIRED** when replacing parts with warning labels affixed.

1036 EMISSIONS LABEL

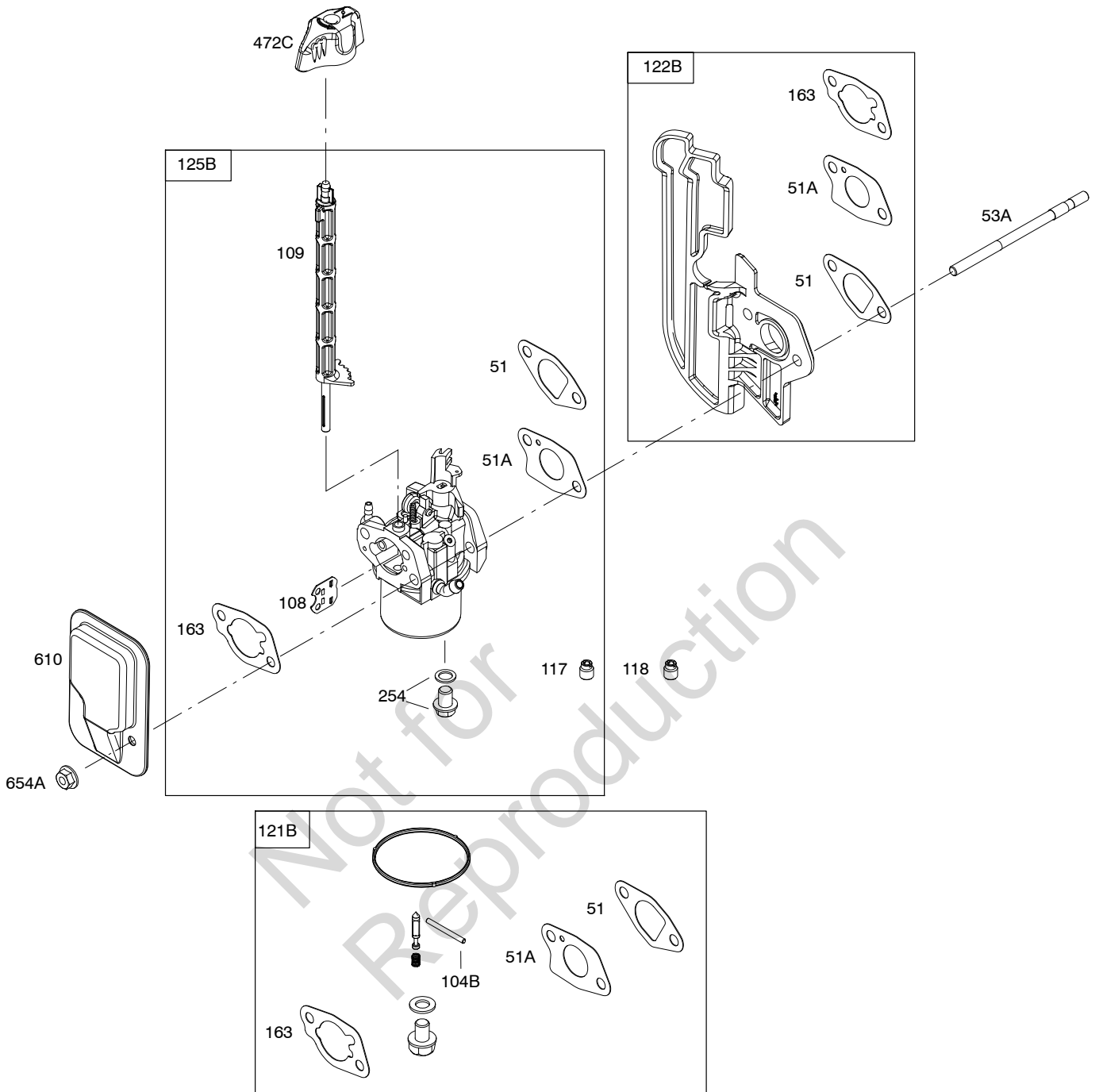


**Illustrations cover a range of engines. Parts shown without text may not be used on your specific engine.**

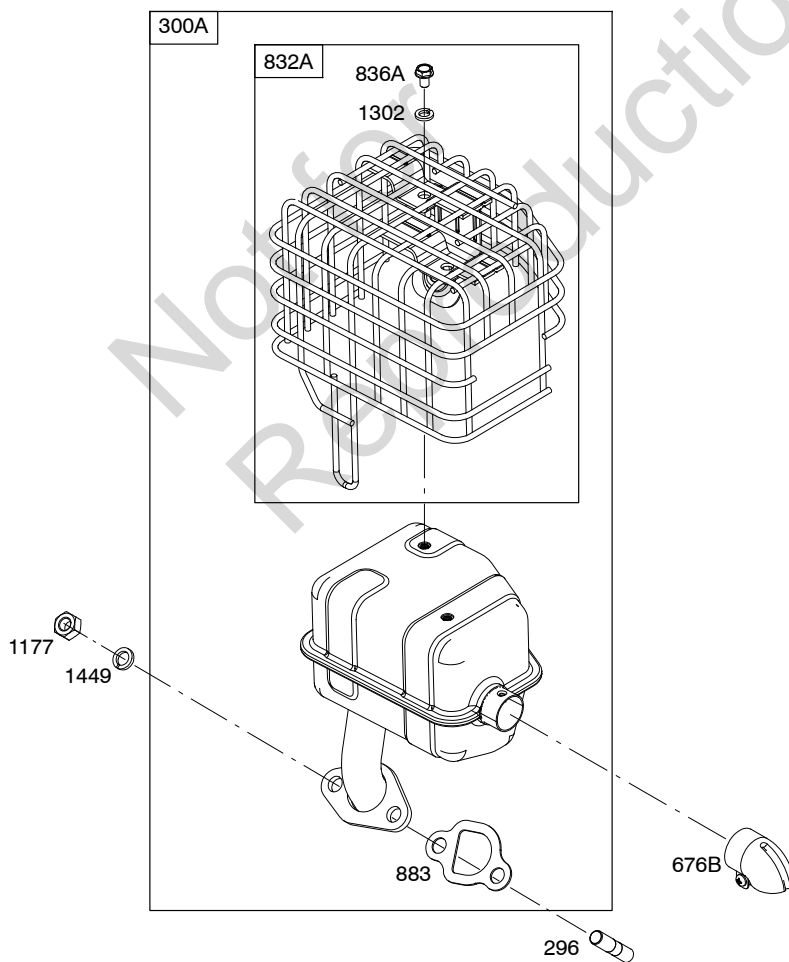
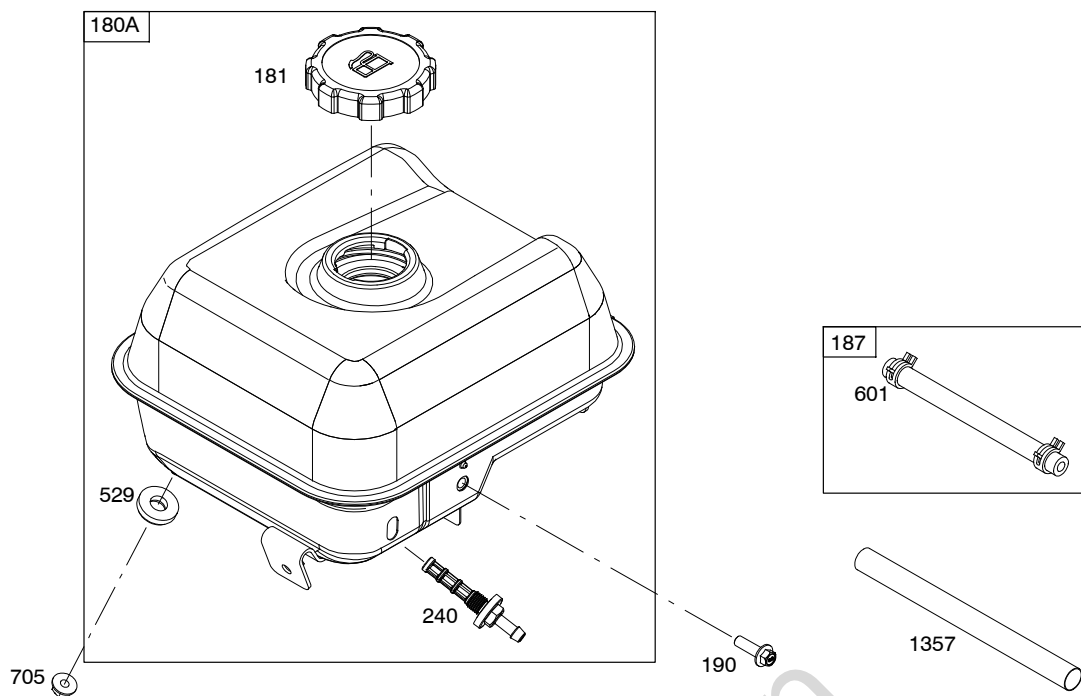


*Illustrations cover a range of engines. Parts shown without text may not be used on your specific engine.*

# 10D100

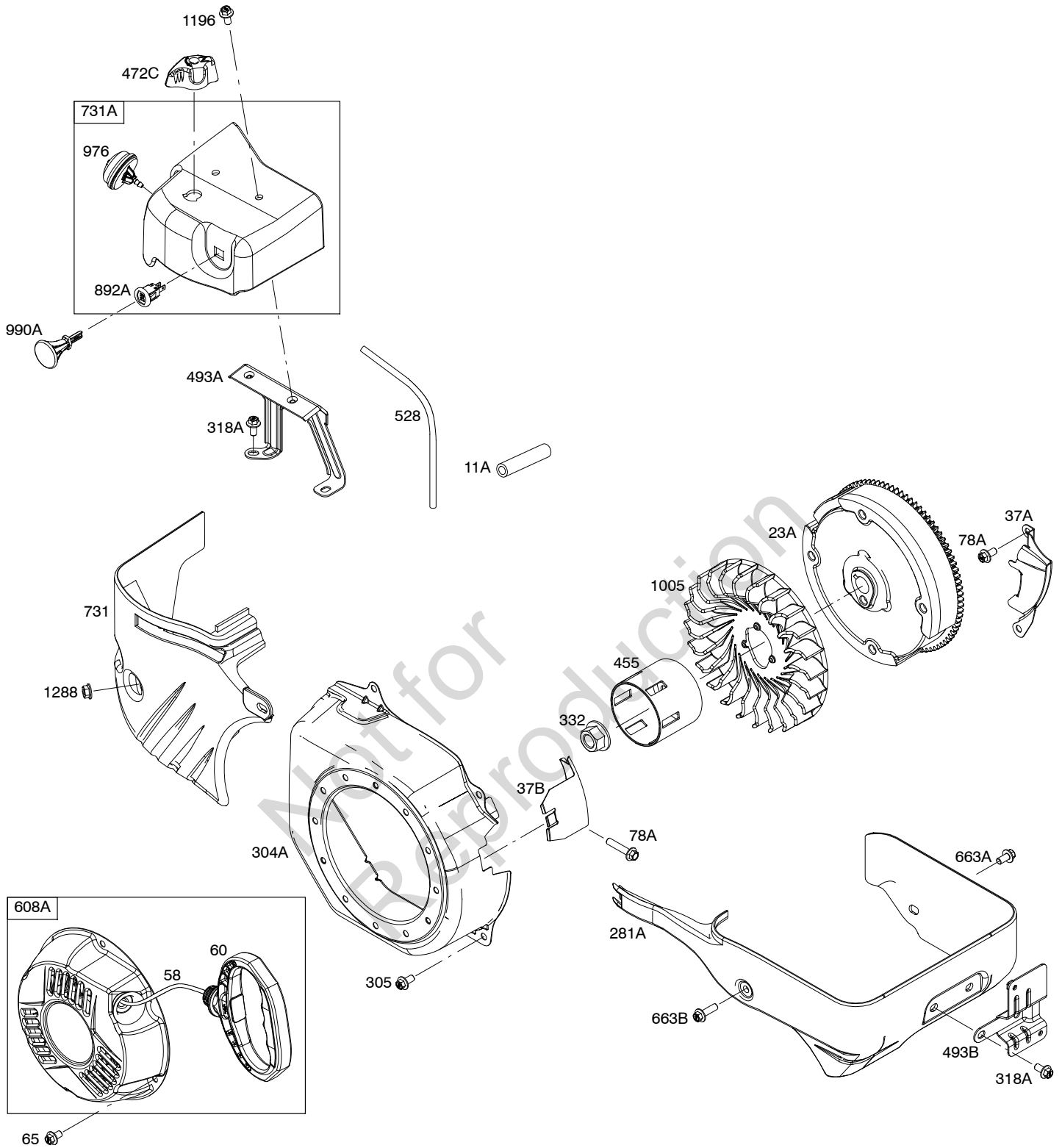


*Illustrations cover a range of engines. Parts shown without text may not be used on your specific engine.*

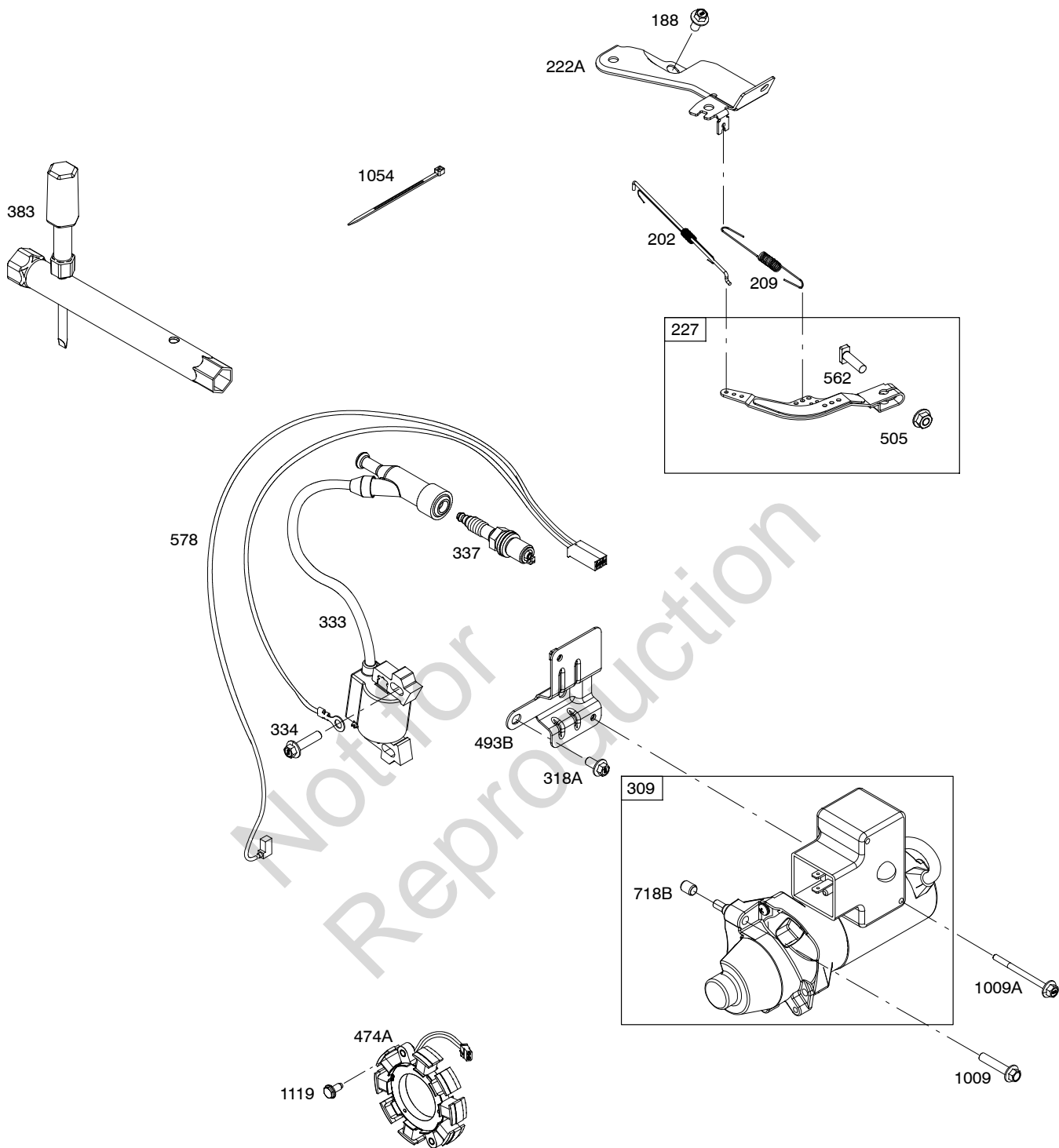


*Illustrations cover a range of engines. Parts shown without text may not be used on your specific engine.*

# 10D100



*Illustrations cover a range of engines. Parts shown without text may not be used on your specific engine.*



*Illustrations cover a range of engines. Parts shown without text may not be used on your specific engine.*

# 10D100

REF. NO.	PART NO.	DESCRIPTION	REF. NO.	PART NO.	DESCRIPTION	REF. NO.	PART NO.	DESCRIPTION
1	591603	Cylinder Assembly ----- <b>Note</b> ----- 594628 Cylinder Assembly Used on Type No(s). 0006, 0007.	26	590661	Ring Set (Standard)	180A	591616	Tank-Fuel
3	590712	Seal-Oil (Magneto Side)			----- <b>Note</b> ----- 590742 Ring Set (.010" Oversize)	181	794641	Cap-Fuel Tank
5	590656	Head-Cylinder	27	590664	Lock-Piston Pin	187	791766	Line-Fuel (Cut To Required Length)
7	590606	Gasket-Cylinder Head	28	590663	Pin-Piston	188	590850	Screw (Control Bracket)
11A	591510	Tube-Breather	29	590665	Rod-Connecting	190	590643	Screw (Fuel Tank)
12	590608	Gasket-Crankcase	33	590647	Valve-Exhaust	202	590645	Link-Mechanical Governor
13	590639	Screw (Cylinder Head)	34	590646	Valve-Intake	209	591622	Spring-Governor
15	590678	Plug-Oil Drain	35	590650	Spring-Valve (Intake)	220	590677	Washer (Governor Gear) (.020" Thick)
16	591290	Crankshaft Used on Type No(s). 0003, 0005, 0111, 0112, 0113. ----- <b>Note</b> ----- 591291 Crankshaft Used on Type No(s). 0001, 0002, 0004, 0009, 0110, 0114, 0115, 0116, 0117. 594627 Crankshaft Used on Type No(s). 0006, 0007, 0008.	36	590650	Spring-Valve (Exhaust)	220A	590675	Washer (Governor Gear) (.040" Thick)
17	590715	Bearing-Ball	37A	591453	Guard-Flywheel	221	590676	Cup-Governor
18	590717	Cover-Crankcase	37B	591630	Guard-Flywheel	222A	591614	Bracket-Control
20	590712	Seal-Oil (PTO Side)	40	590654	Retainer-Valve	227	590660	Lever-Governor Control
22	590714	Screw (Crankcase Cover/Sump)	45	590657	Tappet-Valve	238	590649	Cap-Valve
23A	591627	Flywheel ----- <b>Note</b> ----- 591534 Flywheel Used on Type No(s). 0006, 0007.	46	590611	Camshaft	240	797346	Filter-Fuel (Casing Clamp)
24	797286	Key-Flywheel	51	590612	Gasket-Intake	254	592493	Drain-Carburetor Bowl
25	590662	Piston Assembly (Standard) ----- <b>Note</b> ----- 590741 Piston Assembly (.010" Oversize) 590743 Piston Assembly (.020" Oversize)	51A	590613	Gasket-Intake	281A	591615	Panel-Control
			53A	591455	Stud (Carburetor)	296	590631	Stud (Muffler)
			58	791362	Rope-Starter (Cut To Required Length)	300A	591618	Muffler
			60	591519	Grip-Starter Rope	304A	591605	Housing-Blower
			65	590706	Screw (Rewind Starter)	305	590850	Screw (Blower Housing)
			78A	590850	Screw (Flywheel Guard)	306	590636	Shield-Cylinder
			104B	592486	Pin-Float Hinge	307	590683	Screw (Cylinder Shield)
			108	591767	Valve-Choke	309	591157	Motor-Starter Used on Type No(s). 0001, 0003, 0114. ----- <b>Note</b> ----- 591702 Motor-Starter Used on Type No(s). 0113. 591703 Motor-Starter Used on Type No(s). 0006, 0117.
			109	591542	Shaft-Choke			
			117	591768	Jet-Main (Standard)			
			118	591769	Jet-Main (High Altitude)			
			121B	591770	Kit-Carburetor Overhaul			
			122B	592388	Spacer-Carburetor			
			125B	592448	Carburetor			
			155	592874	Plate-Cylinder Head			
			163	590605	Gasket-Air Cleaner			

Illustrations cover a range of engines. Parts shown without corresponding text may not be used on your specific engine.  
10420-8 Assemblies include all parts shown in frames. 03/11/2015



REF. NO.	PART NO.	DESCRIPTION	REF. NO.	PART NO.	DESCRIPTION	REF. NO.	PART NO.	DESCRIPTION
318A	590850	Screw (Mounting Bracket)	610	591153	Arrester-Intake	976	793382	Primer-Carburetor
332	590635	Nut (Flywheel)	614	590670	Pin-Cotter	990A	794696	Key Set
333	590603	Armature-Magneto	616	590668	Crank-Governor	998	591707	Pipe-Oil
334	590644	Screw (Magneto Armature)	631	591754	Washer (Oil Drain Plug)	1005	590679	Fan-Flywheel
337	691043	Plug-Spark	654A	591527	Nut (Carburetor)	1009	591476	Screw (Starter Motor)
358	590748	Gasket Set-Engine	663A	590850	Screw (Control Panel)	1009A	591522	Screw (Starter Motor)
383	590721	Wrench-Spark Plug	663B	590643	Screw (Control Panel)	1022	590610	Gasket-Rocker Cover
404	590669	Washer (Governor Crank)	676B	591711	Deflector-Muffler	1023A	592903	Cover-Rocker
455	590682	Cup-Flywheel	705	590692	Nut (Fuel Tank)	1026	590658	Rod-Push
472C	791948	Knob-Choke Shaft	718	590637	Pin-Locating (Cylinder Head)	1029	590651	Arm-Rocker
474A	591533	Alternator (60W A/C Only)	718A	590713	Pin-Locating (Crankcase Cover)	1036		Label-Emissions (Available From A Briggs & Stratton Authorized Dealer)
493A	591612	Bracket-Mounting (Snow Hood)	718B	591466	Pin-Locating (Starter Motor)	1054	280275	Tie-Cable
493B	591617	Bracket-Mounting (Starter Motor)	731	591610	Hood-Snow	1119	590644	Screw (Alternator)
505	590641	Nut (Governor Control Lever)	731A	591611	Hood-Snow	1177	590632	Nut (Muffler)
522	590716	Plug-Dipstick/Fill	830	590653	Stud-Rocker Arm	1196	590850	Screw (Snow Hood)
528	793006	Hose-Primer (Cut to Required Length)	832A	591619	Guard-Muffler	1288	591527	Nut (Snow Hood)
529	590687	Grommet (Fuel Tank)	836A	590850	Screw (Muffler Guard)	1302	590457	Washer (Muffler Guard)
562	590640	Bolt (Governor Control Lever)	868	590648	Seal-Valve (Intake)	1319	794467	Label-Warning
578	591523	Wire Assembly	883	590630	Gasket-Exhaust	1319A	797669	Label-Warning
601	791850	Clamp-Hose	892A	791944	Switch-Key	1357	590688	Sleeve-Fuel Line
608A	591158	Starter-Rewind	914	590850	Screw (Rocker Cover)	1449	590633	Washer (Muffler)
<p style="text-align: center;"><b>----- Note -----</b></p> <p><b>591795</b> Starter-Rewind Used on Type No(s). 0003, 0005, 0111, 0112, 0113.</p>								

Not for  
Reproduction

Not for  
Reproduction

Not for  
Reproduction

